

auto electrical parts

Technical Information Sheet

Part No. 0-769-68

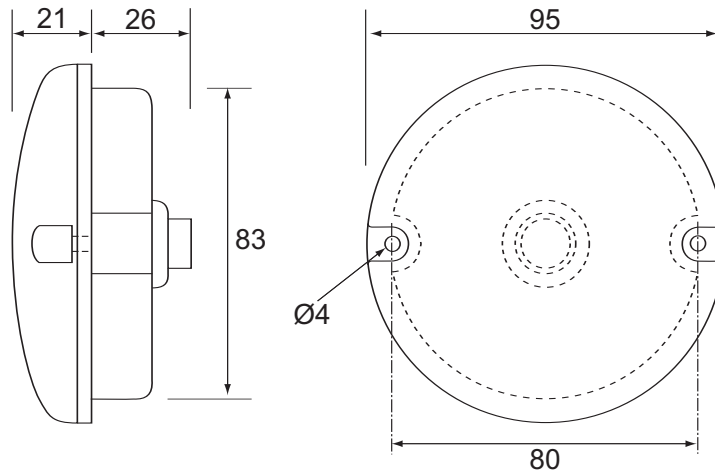
Reverse lamp 12 volt LED with plug and sealing gasket. 95mm diameter. Requires 'Econoseal' female connector 0-012-52. Protected to IP67. ECE approved.

Additional Information

Connecting plug is on end of 450mm flying leads, white to negative and red to positive. An optional mounting bezel is available part 0-767-99.



Technical Drawing (not to scale)



Specification

Type	Reverse lamp
Voltage rating	12 volt dc
Lens material	Acrylic
LEDs	32 white
Connector	2 pin male 'Econoseal'
Weight	85g
Dimensions	95mm dia x 47mm
Approvals	ECE
Protection	IP67

The information contained in this document is correct to the best of our knowledge at the time of printing. However, specifications may change at any time without notice.

Gordon Equipments Limited

Durite Works
Valley Road
Dovercourt
Essex CO12 4RX
England



Tel: +44 (0)1255 555200
Fax: +44 (0)1255 555222
E-mail: sales@durite.co.uk
Web: www.durite.co.uk

Registered in England at address shown No. 373113
The words 'Gordon', 'Durite', 'Nolten' and 'Acfil' are registered trade marks